

Series 1 – Electromechanical Controls

- ▶ 2 or 3 Pole Output Contact
- ▶ Up to 20K Ohms/cm Sensitivity
- ▶ U.L. "Limit Control"
- ▶ U.L. "Motor Control"

One of Warrick's first products, Series 1 electromechanical controls offer 2 or 3 pole output contacts with 16 amp rating. These versatile controls can be configured for single level service, differential control, low water cutoff (with manual reset or lock out capability) control and many other functions.

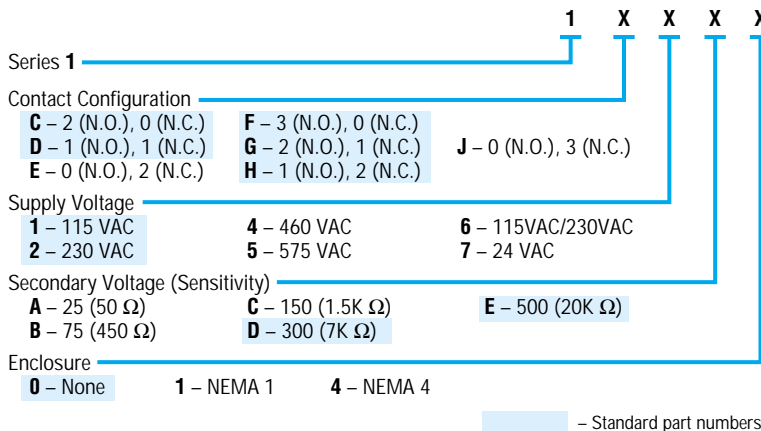
Specifications

Contact Design	2 or 3 pole, single throw, electromechanical relay
Contact Rating (110 VAC)	16 amp Resistive 1 hp
Mode of Operation	Direct only
Sensitivity	0 - 20K ohm maximum, factory set
Primary Voltage	24 VAC, 115 VAC, 230 VAC, 460 VAC, 575 VAC (+10%/-15%)
Power Consumption	4 watts (15 VA)
Secondary Voltage	25 VAC, 75 VAC, 150 VAC, 300 VAC, 500 VAC*
Temperature	-30°F to 130°F
Approvals	U.L. Rec., FM, CSA, U.L. Listed Limit Control, U.L. 353
Connections	All screw type connections

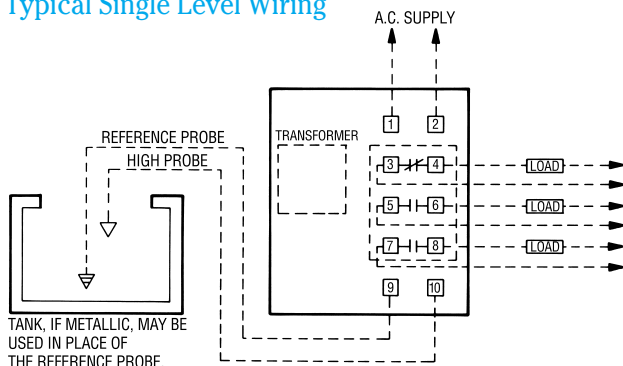
* Due to high secondary voltage, if personnel can come in contact with electrodes, we suggest using Series 16, 26 or 19 controls.

How to Order

Use the **Bold** characters from the chart below to construct a product code.

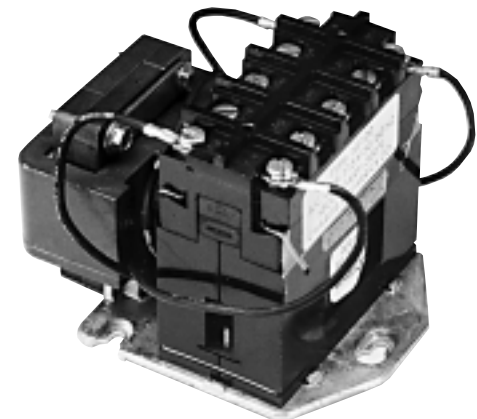
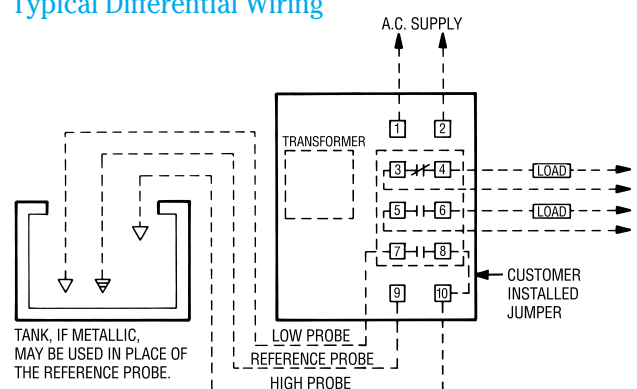


Typical Single Level Wiring



- Notes:
1. Load contacts shown are non-powered.
 2. Series 1 shown in these diagrams is G configuration.

Typical Differential Wiring



Applications

- General Purpose
- On/Off Control
- Pump Control
- Boiler Level Control
- Boiler LLLCO

Dimensions

